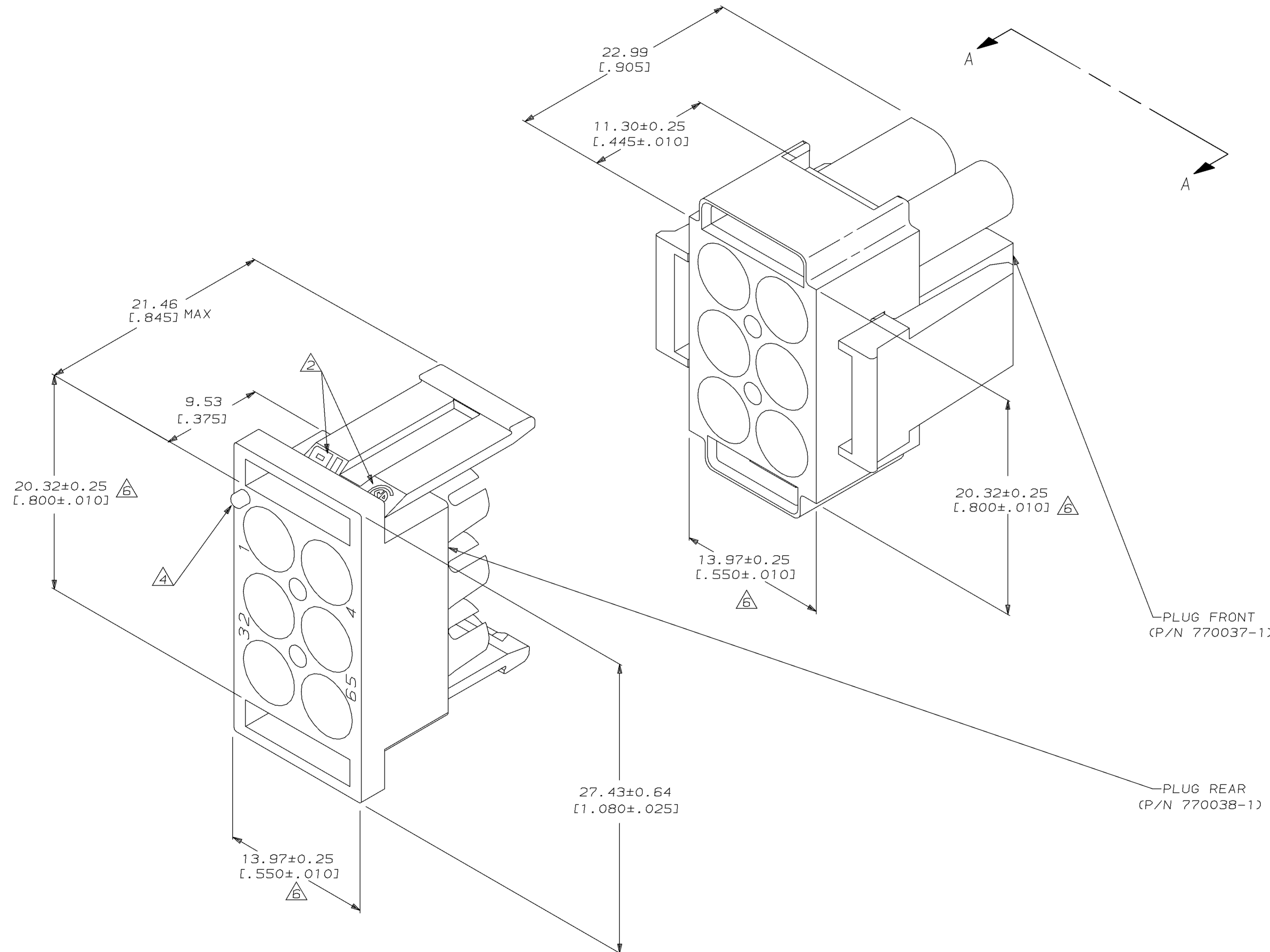
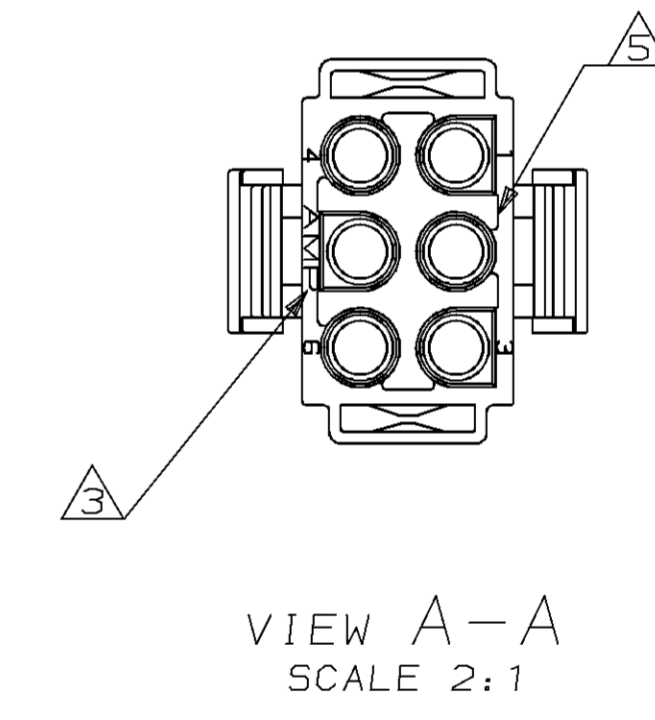


| LOC | | DIST | | P | | F | | ZONE | | LTR | | REVISIONS | | DATE | APPD |
|-----|----|------|--|---|--|---|--|------|--|-----|--|-----------|-------------------------|----------|------|
| CM | 53 | | | | | | | | | | | | REV PER EC 0730-0212-94 | 11-22-94 | JH |



1. BULK PACKAGED, UNASSEMBLED.
2. APPROVAL AGENCY LOGO LOCATED APPROXIMATELY AS SHOWN.
3. AMP LOGO LOCATED THIS SURFACE.
4. CIRCUIT NUMBER ONE IDENTIFICATION BUTTON AND CIRCUIT IDENTIFICATION NUMBERS ARE EACH LOCATED ADJACENT TO THE APPROPRIATE CIRCUIT CAVITIES.
5. NEW MOLD CONSTRUCTION PROVIDES MATERIAL REDUCTION CORING AT BASE OF SILOS WITH NO CORING AS OPTIONAL.
6. DIMENSION INDICATED IS AS MOLDED. ADDITIONAL GROWTH DUE TO SUBSEQUENT MOISTURE ABSORPTION MAY OCCUR.



770020-1
PART NUMBER

| DO NOT SCALE PRINT. UNLESS SPECIFIED DIMENSIONS IN INCHES TOLERANCES ON: | | DR 1-22-92 K. SALMON | | PART NO | |
|--|--------|--------------------------|--|---|------------------|
| 1 DIMENSIONS | ± .010 | CHK 1-22-92 R. SWING | | AMP INCORPORATED Harrisburg, Pa. 17105 | |
| 2 PLC DEC | ± .005 | APPD 1-22-92 M. TRULL | | | |
| 3 ANGLES | ± .005 | APPD 1-22-92 M. TRULL | | NAME PLUG HOUSING KIT, 6 CIRCUIT, UNIVERSAL MATE-N-LOK™ II | |
| MATERIAL NYLON, UL94V-0, | | PRODUCT SPEC | | SIZE D | FSCM NO 00779 |
| FINISH | | APPLICATION SPEC | | DRAWING NO 770020 | |
| | | WEIGHT | | SCALE 5:1 | SHEET 1 OF 1 |

